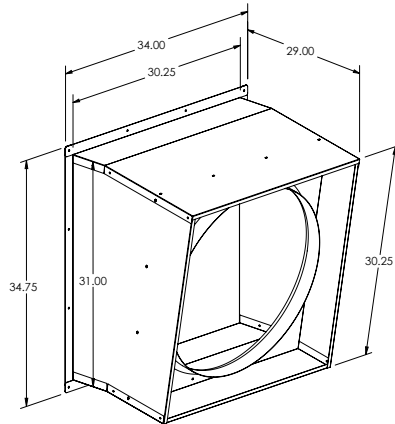
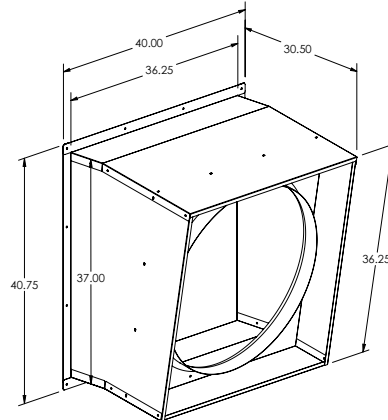


24" Slant Wall



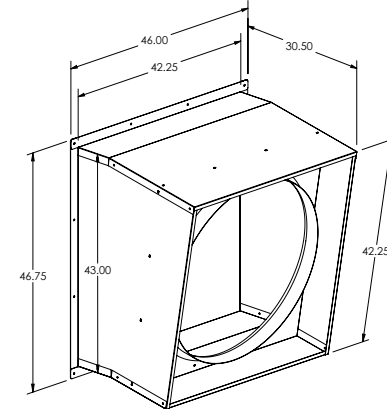
Rough-in Size:
31 wide x 31.75 in. high
(787 x 806 mm)*

30" Slant Wall



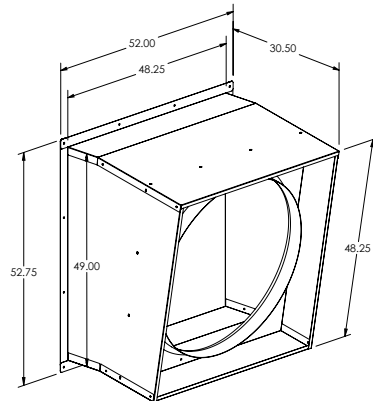
Rough-in Size:
37 wide x 37.75 in. high
(940 x 959 mm)*

36" Slant Wall



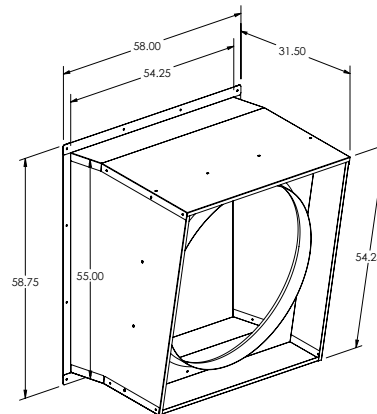
Rough-in Size:
43 wide x 43.75 in. high
(1092 x 1111 mm)*

42" Slant Wall



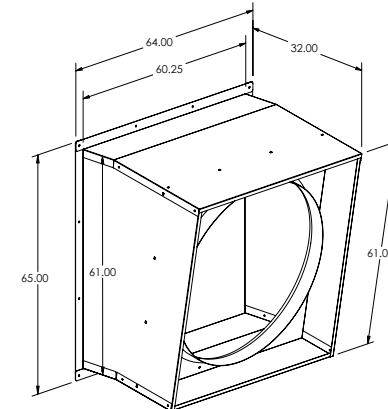
Rough-in Size:
49 wide x 49.75 in. high
(1245 x 1264 mm)*

48" Slant Wall



Rough-in Size:
55 wide x 55.75 in. high
(1397 x 1416 mm)*

54" Slant Wall



Rough-in Size:
61 wide x 62 in. high
(1549 x 1575 mm)*

*Suitable for buildings with up to 6" wall thickness using standard rough-in dimensions. Rough-in Framing Tolerance: +1/4" / -0" (+ 6mm / -0 mm)