



WIRING AND POWER CONFIGURATIONS



VERSA-KOOL®

COMMON VOLTAGE CLASSIFICATIONS

110, 115, 120 VAC all refer to the same voltage standard. True nominal voltage is 120 VAC in United States. 460 and 480 refer to the same voltage standard. True nominal voltage is 480 VAC in United States.

Voltage standards have changed over the years.

POWER BREAKDOWN

WHAT IS MY VOLTAGE?	AVAILABLE VERSAKOOL SOLUTIONS			
208 VAC (3 Phase Power)	A 208VAC electrical panel typically has 115VAC as single phase. Please confirm you have 115VAC available and use the below models wired for 115VAC.			
	VK8 (115 VAC)	VK12 (115/230 VAC)	VK20 (115/230 VAC)	VK24 (115/230 VAC)
115/230 VAC (1 Phase Power)	VK8 (115 VAC)	VK12 (115/230 VAC)	VK20 (115/230 VAC)	VK24 (115/230 VAC)
277 VAC (1 Phase Power)	277 VAC electrical panel typically has 460 VAC 3 phase. Please confirm you have 460 VAC 3 phase available and use the below models wired for 460 VAC.			
	-	-	VK20-3 (230/460 VAC)	VK24-3 (230/460 VAC)
347 VAC (1 Phase Power)	No current solutions would require buck transformer			
460-480 VAC (3 Phase Power)	-	-	VK20-3 (230/460 VAC)	VK24-3 (230/460 VAC)

COMMON BUILDING PANEL POWER CONFIGURATIONS

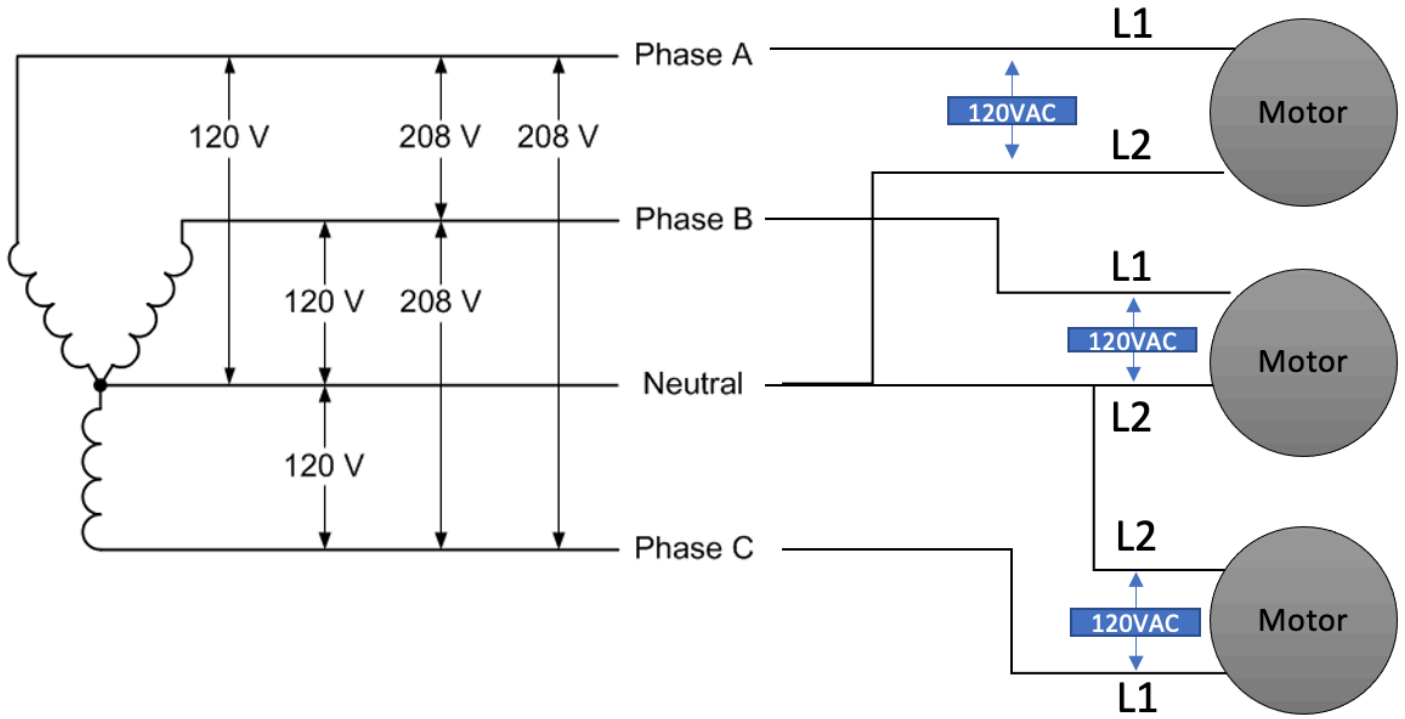
BUILDING SUPPLY POWER DESCRIPTION	L-N VAC	L-L VAC	COUNTRIES	WATTNODE MODELS (WYE OR DELTA-VOLTAGE)
1-Phase, 3-Wire 120/240 V	120	240	US	3Y-208
3-Phase, 3-Wire 230 V Delta (No neutral)	-	230	Norway	3D-240
3-Phase, 4-Wire 208Y/120 V	120	208	US	3Y-208, 3D-240
3-Phase, 4-Wire 400Y/230 V	230	400	EU, Others	3Y-400, 3D-400
3-Phase, 4-Wire 415Y/240 V	240	415	Australia	3Y-400, 3D-400
3-Phase, 4-Wire 480Y/277 V	277	480	US	3Y-480, 3D-480
3-Phase, 4-Wire 600Y/347 V	347	600	US, Canada	3Y-600

Above is reference material only. Code and electrical configurations in your area may be different. Please consult your local electrician before wiring and follow all national, state, and local electrical codes.

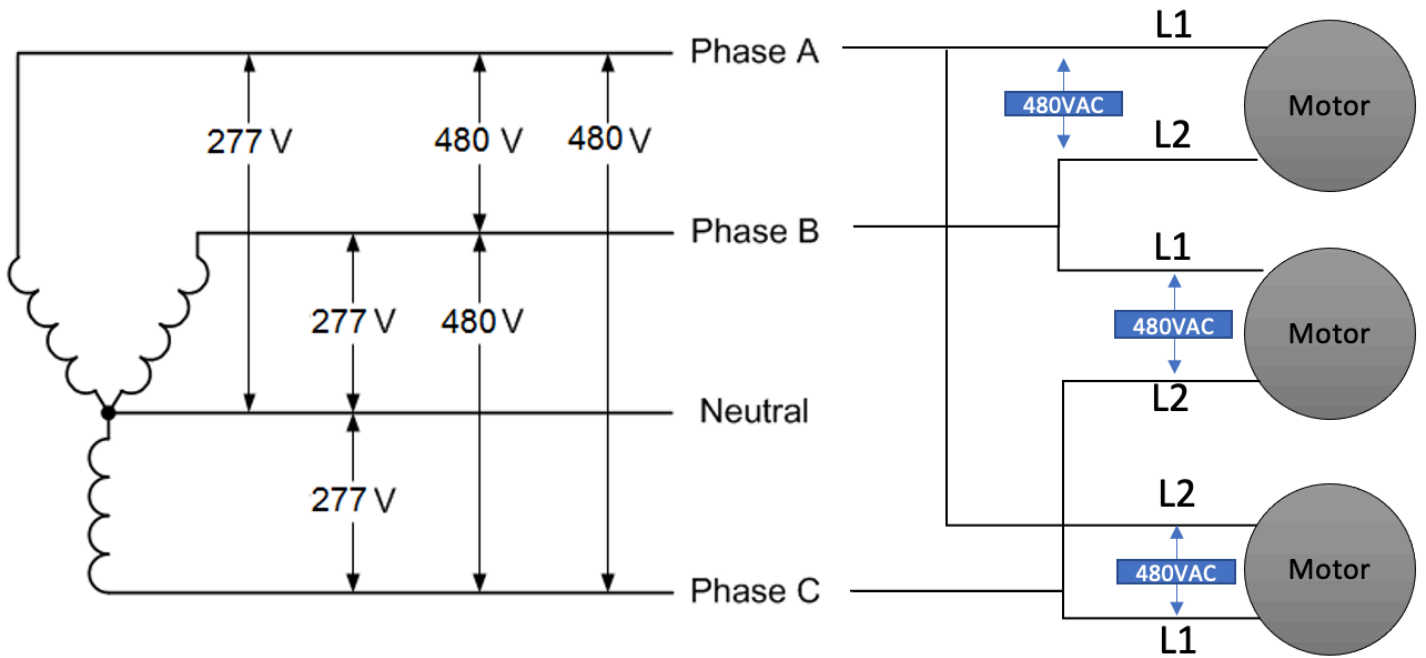
WIRING AND POWER CONFIGURATIONS



120/208Y STANDARD ELECTRICAL PANEL



277/480Y STANDARD ELECTRICAL PANEL



Above is reference material only. Code and electrical configurations in your area may be different. Please consult your local electrician before wiring and follow all national, state, and local electrical codes.

FOR ADDITIONAL TECHNICAL INFORMATION
www.schaeferventilation.com • 1.800.779.3267